

## DH-IPC-HD2100

### 1.3Mp CMOS HD Network Dome Camera



**DH-IPC-HD2100P:** 1.3 Megapixel CMOS, 25fps@720P, 15fps@1.3M, Lens: 3.6mm (2.8mm/6mm/8mm optional), PoE

**DH-IPC-HD2100N:** 1.3 Megapixel CMOS, 30fps@720P, 15fps@1.3M, Lens: 3.6mm (2.8mm/6mm/8mm optional), PoE

### Features

- > 1/3" 1.3 Megapixel Aptina CMOS image sensor
- > High-performance TI DaVinci series DSP
- > H.264 video compression and JPEG image capture
- > Max 25/30fps@720P(1280×720), 15fps@1.3M(1280×960)resolution
- > Dual encoding streams supported
- > Built-in 2.8mm/3.6mm/6mm/8mm lens
- > Support DC12V power supply, POE
- > Built-in Web server, NVR, CMS(PSS/DSS) & DMSS

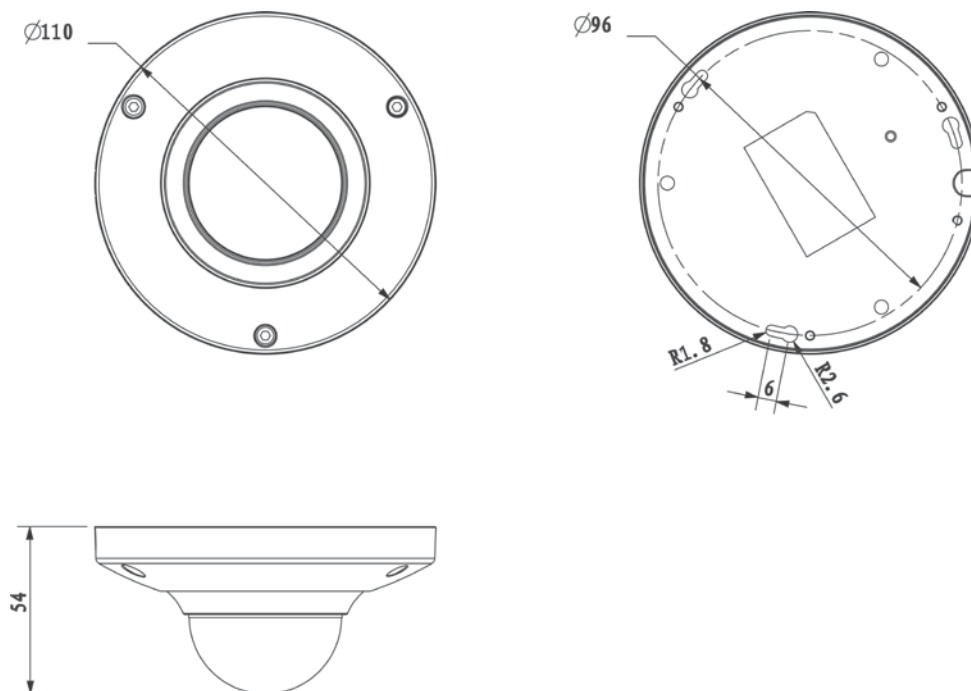
# DH-IPC-HD2100

## Specifications

Model	DH-IPC-HD2100P	DH-IPC-HD2100N
<b>General</b>		
Processor	TI DaVinci Series DSP	
Operating System	Embedded LINUX	
Resource	Simultaneous remote monitoring, local recording and remote control	
User Interface	WEB, CMS(DSS/ PSS), DMSS, NVR	
<b>Camera</b>		
Image Sensor	1/3" 1.3 Megapixel Aptina CMOS	
Effective Pixels	1280 (H)×960(V)	
Electronic Shutter	Auto/Manual, 1/3~1/10000s	Auto/Manual, 1/4~1/10000s
Mini. Illumination	0.1LUX/F1.2(Color), 0.05LUX/F1.2(B/W)	
Signal Noise Ratio	>50dB	
Gain Control	Auto/Manual	
White Balance	Auto/Manual	
Day/Night	Electrical Day/Night	
Lens Mount	M12	
Lens	3.6mm (2.8mm/6mm/8mm optional)	
<b>Video</b>		
Video Compression	H.264/MJPEG/JPEG	
Image Resolution	1.3M(1280×960) / 720P(1280×720) / D1(704×576/704×480)	
Encoding Speed	1.3M (1~15fps)+ D1(1~15fps)	1.3M (1~15fps)+ D1(1~15fps)
	720P(1~25fps)+ D1(1~25fps)	720P(1~30fps)+ D1(1~30fps)
Bit Rate	128K~8192Kbps	
Snapshot	Fastest 1fps JPEG capture	
Video Format	PAL	NTSC
<b>Network</b>		
Ethernet	RJ-45 (10/100Base-T)	
Network Functions	HTTP, TCP/IP, IPv4/IPv6, ARP, IGMP, ICMP, RTSP, RTP, UDP, SMTP, FTP, DHCP, DNS, DDNS, PPPoE, UPNP, NTP, Bonjour, SNMP, Onvif	
Remote Operation	Monitor, PTZ control, Playback, System setting, File download, Log information, Maintenance & Upgrade	
<b>Environmental</b>		
Power Supply	DC12V, PoE	
Power Consumption	Max.1.5W	
Operating Environment	-10°C~+50°C, 10%~90%	
Dimension	54mm x ϕ110mm	
Weight	0.25kg	

## DH-IPC-HD2100

### Dimensions (mm)



---

### Zhejiang Dahua Technology Co., Ltd.

1187 BinAn Road, Binjiang District, Hangzhou, China

Tel: +86-571-87688883

Fax: +86-571-87688815

Email: [overseas@dahuatech.com](mailto:overseas@dahuatech.com)

[www.dahuatech.com](http://www.dahuatech.com)

\*Design and specifications are subject to change without notice.

© 2011 Dahua Technology Co., Ltd.